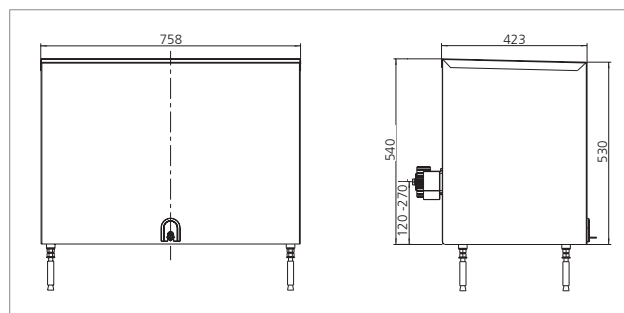


SDO 35-13-45

Opener system for heavy sliding gates



NEW

SDO 35-13-45

Article	Article no.	Price each
SDO 35-13-45 E	120 645	
SDO 35-13-45 E FU/E	120 640	

Available on request:

- Gate width of max. 21.5 m
- Exterior release with profile half cylinder
- Extended range of temperature for the motor unit until $-40\text{ }^{\circ}\text{C}$ and for the control unit until $-35\text{ }^{\circ}\text{C}$
- Emergency hand crank and intergrated safety catch device for rising sliding gates

Features

Frequency converter technique (120 640 only)
Absolute value encoder technique
Excess travel stop
Integrated emergency release
Housing access via lockable cover
Integrated evaluation 8.2 k Ω
Height adjustable piston rod, max. 150 mm adjustable
Programming and status indication via LC-display
Direction of rotation programmable
Automatic closing function
Door open duration and warning time programmable
Partial opening programmable
Gate travel speed OPEN and CLOSE programmable (120 640 only)
Soft run position OPEN and CLOSE programmable (120 640 only)
Soft run speed OPEN and CLOSE programmable (120 640 only)
4 programmable relay outputs
2 programmable inputs
Servicing counter and door cycle counter
Servicing interval programmable
Fault messages with memory
Multistage reset function (complete, without converter, MS-Bus only)
Connection for:
Push button (conventional)
Radio receiver (pluggable)
Expansion module EM 172 traffic control (MS-Bus)
Week timer (pluggable)
Marantec photocell OPEN and CLOSE (conventional)
Other's photocell OPEN and CLOSE (conventional)
Hold circuit (conventional)
Closing edge safety device 8.2 k Ω OPEN and CLOSE (conventional)
Signal light (conventional)
Power supply for external elements 24 V DC max. 500 mA (conventional)
Power supply for external elements 230 V AC max. 1,000 mA (conventional)

Package

- Motor unit with integrated control unit Control CS 310 or CS 310 FU
- Stainless steel cover, lockable
- Mounting plate and spur gear module 6 pre-assembled
- Mounting material

Application

Gate width (max.)	17,200 mm
Gate weight (max.)	2,200 kg
Module	6

Mechanical details

Torque (max.)	130 Nm
Nominal rotational speed (max.)	45 min^{-1}
Gate travel speed at 50 Hz	170 mm/s

Electrical details

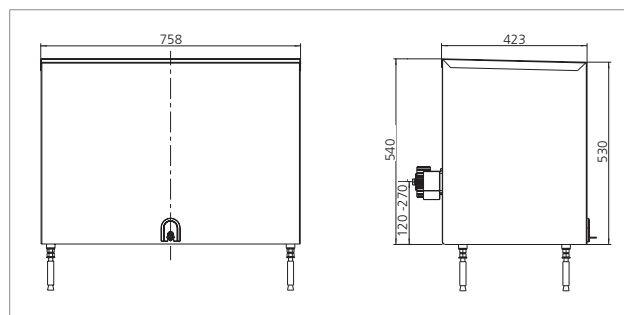
Nominal voltage	400 V AC
Nominal frequency	50 Hz
Power consumption	3.2 A
Motor output	0.96 kW
Cycles per hour (max.)	8
Motor voltage	400 V AC
Control voltage	24 V DC
Protection category motor unit	IP 54
Protection category control unit	IP 65
Protection class	I

General details

Range of temperature motor unit	$-20\text{ }^{\circ}\text{C}$ to $+55\text{ }^{\circ}\text{C}$
Range of temperature control unit	$-10\text{ }^{\circ}\text{C}$ to $+45\text{ }^{\circ}\text{C}$

SDO 35-20-24

Opener system for heavy sliding gates



NEW

SDO 35-20-24

Article	Article no.	Price each
SDO 35-20-24 E	120 646	
SDO 35-20-24 E FU/E	120 641	

Available on request:

- Gate width of max. 21.5 m
- Exterior release with profile half cylinder
- Extended range of temperature for the motor unit until $-40\text{ }^{\circ}\text{C}$ and for the control unit until $-35\text{ }^{\circ}\text{C}$
- Emergency hand crank and intergrated safety catch device for rising sliding gates

Features

Frequency converter technique (120 641 only)
Absolute value encoder technique
Excess travel stop
Integrated emergency release
Housing access via lockable cover
Integrated evaluation 8.2 k Ω
Height adjustable piston rod, max. 150 mm adjustable
Programming and status indication via LC-display
Direction of rotation programmable
Automatic closing function
Door open duration and warning time programmable
Partial opening programmable
Gate travel speed OPEN and CLOSE programmable (120 641 only)
Soft run position OPEN and CLOSE programmable (120 641 only)
Soft run speed OPEN and CLOSE programmable (120 641 only)
4 programmable relay outputs
2 programmable inputs
Servicing counter and door cycle counter
Servicing interval programmable
Fault messages with memory
Multistage reset function (complete, without converter, MS-Bus only)
Connection for:
Push button (conventional)
Radio receiver (pluggable)
Expansion module EM 172 traffic control (MS-Bus)
Week timer (pluggable)
Marantec photocell OPEN and CLOSE (conventional)
Other's photocell OPEN and CLOSE (conventional)
Hold circuit (conventional)
Closing edge safety device 8.2 k Ω OPEN and CLOSE (conventional)
Signal light (conventional)
Power supply for external elements 24 V DC max. 500 mA (conventional)
Power supply for external elements 230 V AC max. 1,000 mA (conventional)

Package

- Motor unit with integrated control unit Control CS 310 or CS 310 FU
- Stainless steel cover, lockable
- Mounting plate and spur gear module 6 pre-assembled
- Mounting material

Application

Gate width (max.)	17,200 mm
Gate weight (max.)	3,500 kg
Module	6

Mechanical details

Torque (max.)	200 Nm
Nominal rotational speed (max.)	24 min^{-1}
Gate travel speed at 50 Hz	90 mm/s

Electrical details

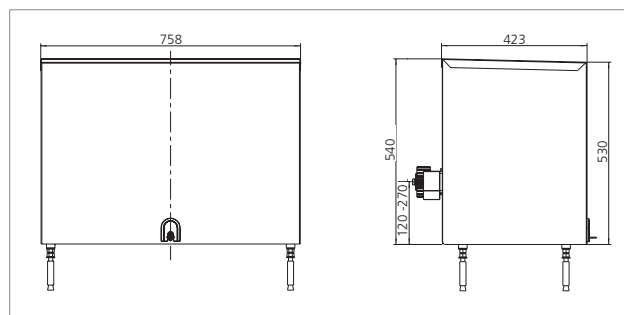
Nominal voltage	400 V AC
Nominal frequency	50 Hz
Power consumption	3.3 A
Motor output	1.1 kW
Cycles per hour (max.)	5
Motor voltage	400 V AC
Control voltage	24 V DC
Protection category motor unit	IP 54
Protection category control unit	IP 65
Protection class	I

General details

Range of temperature motor unit	$-20\text{ }^{\circ}\text{C}$ to $+55\text{ }^{\circ}\text{C}$
Range of temperature control unit	$-10\text{ }^{\circ}\text{C}$ to $+45\text{ }^{\circ}\text{C}$

SDO 35-21-45

Opener system for heavy sliding gates



NEW

SDO 35-21-45

Article	Article no.	Price each
SDO 35-21-45 E	120 647	
SDO 35-21-45 E FU/E	120 642	

Available on request:

- Gate width of max. 21.5 m
- Exterior release with profile half cylinder
- Extended range of temperature for the motor unit until $-40\text{ }^{\circ}\text{C}$ and for the control unit until $-35\text{ }^{\circ}\text{C}$
- Emergency hand crank and intergrated safety catch device for rising sliding gates

Features

Frequency converter technique (120 642 only)
Absolute value encoder technique
Excess travel stop
Integrated emergency release
Housing access via lockable cover
Integrated evaluation 8.2 k Ω
Height adjustable piston rod, max. 150 mm adjustable
Programming and status indication via LC-display
Direction of rotation programmable
Automatic closing function
Door open duration and warning time programmable
Partial opening programmable
Gate travel speed OPEN and CLOSE programmable (120 642 only)
Soft run position OPEN and CLOSE programmable (120 642 only)
Soft run speed OPEN and CLOSE programmable (120 642 only)
4 programmable relay outputs
2 programmable inputs
Servicing counter and door cycle counter
Servicing interval programmable
Fault messages with memory
Multistage reset function (complete, without converter, MS-Bus only)
Connection for:
Push button (conventional)
Radio receiver (pluggable)
Expansion module EM 172 traffic control (MS-Bus)
Week timer (pluggable)
Marantec photocell OPEN and CLOSE (conventional)
Other's photocell OPEN and CLOSE (conventional)
Hold circuit (conventional)
Closing edge safety device 8.2 k Ω OPEN and CLOSE (conventional)
Signal light (conventional)
Power supply for external elements 24 V DC max. 500 mA (conventional)
Power supply for external elements 230 V AC max. 1,000 mA (conventional)

Package

- Motor unit with integrated control unit Control CS 310 or CS 310 FU
- Stainless steel cover, lockable
- Mounting plate and spur gear module 6 pre-assembled
- Mounting material

Application

Gate width (max.)	17,200 mm
Gate weight (max.)	3,800 kg
Module	6

Mechanical details

Torque (max.)	210 Nm
Nominal rotational speed (max.)	45 min^{-1}
Gate travel speed at 50 Hz	170 mm/s

Electrical details

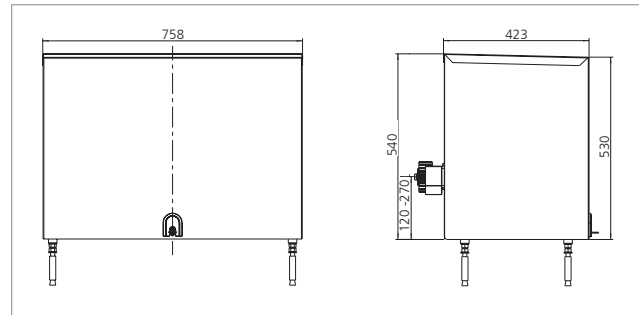
Nominal voltage	400 V AC
Nominal frequency	50 Hz
Power consumption	4.0 A
Motor output	1.5 kW
Cycles per hour (max.)	8
Motor voltage	400 V AC
Control voltage	24 V DC
Protection category motor unit	IP 54
Protection category control unit	IP 65
Protection class	I

General details

Range of temperature motor unit	$-20\text{ }^{\circ}\text{C}$ to $+55\text{ }^{\circ}\text{C}$
Range of temperature control unit	$-10\text{ }^{\circ}\text{C}$ to $+45\text{ }^{\circ}\text{C}$

SDO 35-33-24

Opener system for heavy sliding gates



NEW

SDO 35-33-24

Article	Article no.	Price each
SDO 35-33-24 E	120 648	
SDO 35-33-24 E FU/E	120 644	

Available on request:

- Gate width of max. 21.5 m
- Exterior release with profile half cylinder
- Extended range of temperature for the motor unit until $-40\text{ }^{\circ}\text{C}$ and for the control unit until $-35\text{ }^{\circ}\text{C}$
- Emergency hand crank and intergrated safety catch device for rising sliding gates

Features

Frequency converter technique (120 644 only)
Absolute value encoder technique
Excess travel stop
Integrated emergency release
Housing access via lockable cover
Integrated evaluation 8.2 k Ω
Height adjustable piston rod, max. 150 mm adjustable
Programming and status indication via LC-display
Direction of rotation programmable
Automatic closing function
Door open duration and warning time programmable
Partial opening programmable
Gate travel speed OPEN and CLOSE programmable (120 644 only)
Soft run position OPEN and CLOSE programmable (120 644 only)
Soft run speed OPEN and CLOSE programmable (120 644 only)
4 programmable relay outputs
2 programmable inputs
Servicing counter and door cycle counter
Servicing interval programmable
Fault messages with memory
Multistage reset function (complete, without converter, MS-Bus only)
Connection for:
Push button (conventional)
Radio receiver (pluggable)
Expansion module EM 172 traffic control (MS-Bus)
Week timer (pluggable)
Marantec photocell OPEN and CLOSE (conventional)
Other's photocell OPEN and CLOSE (conventional)
Hold circuit (conventional)
Closing edge safety device 8.2 k Ω OPEN and CLOSE (conventional)
Signal light (conventional)
Power supply for external elements 24 V DC max. 500 mA (conventional)
Power supply for external elements 230 V AC max. 1,000 mA (conventional)

Package

- Motor unit with integrated control unit Control CS 310 or CS 310 FU
- Stainless steel cover, lockable
- Mounting plate and spur gear module 6 pre-assembled
- Mounting material

Application

Gate width (max.)	17,200 mm
Gate weight (max.)	4,400 kg
Module	6

Mechanical details

Torque (max.)	330 Nm
Nominal rotational speed (max.)	24 min^{-1}
Gate travel speed at 50 Hz	90 mm/s

Electrical details

Nominal voltage	400 V AC
Nominal frequency	50 Hz
Power consumption	4.2 A
Motor output	1.5 kW
Cycles per hour (max.)	5
Motor voltage	400 V AC
Control voltage	24 V DC
Protection category motor unit	IP 54
Protection category control unit	IP 65
Protection class	I

General details

Range of temperature motor unit	$-20\text{ }^{\circ}\text{C}$ to $+55\text{ }^{\circ}\text{C}$
Range of temperature control unit	$-10\text{ }^{\circ}\text{C}$ to $+45\text{ }^{\circ}\text{C}$